

ARK

Standalone Security display system

Cameras

Streamlined Innovation Enhanced Intelligence

Integration of functional innovation, Streamlined modeling,
Intelligent management

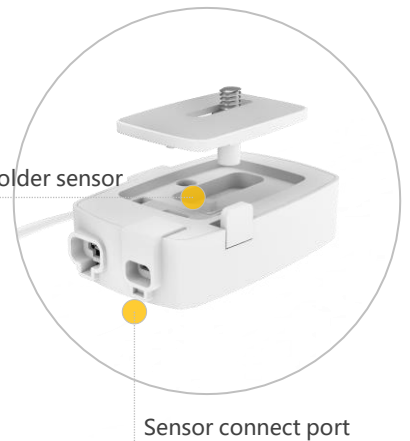


ARK Standalone Security display system , modular design based on the classic external cable anti-theft device modeling foundation. It is convenient to expand different anti-theft levels according to actual application scenarios by optimizing component size and component coordination structure. The overall display is more streamlined visually.

ARK680W-C120

Features and Benefits

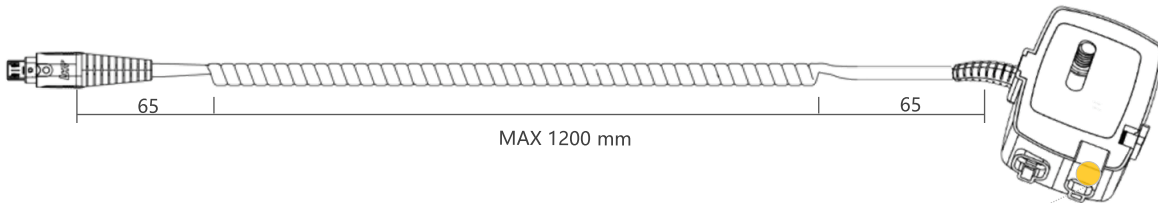
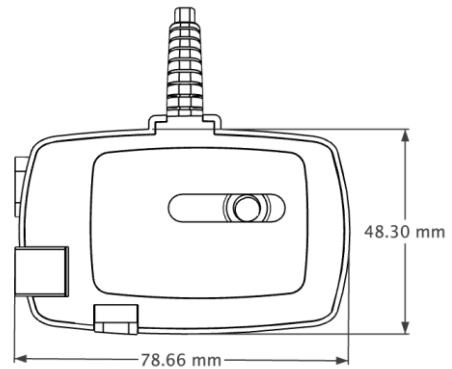
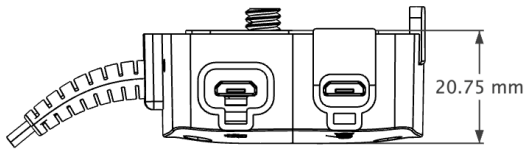
- Works with ARK700 0° flat display stand
- Base sensor + (camera holder and lens sensor) security
- Unlock by touch and remote control
- Visible LED indicator, "always on is safe" clearly shows the status
- Fixed with camera standard screw
- Block on the holder avoids camera rotating
- Supports Micro USB 5V charging for digital camera



This sensor needs to be used with a lens sensor (SS0121W) or a charging cable (SS1310W-C20-xxx), cannot be used alone.

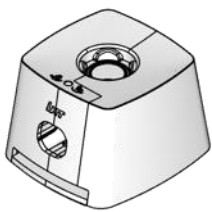
Specifications

ARK680W-C120

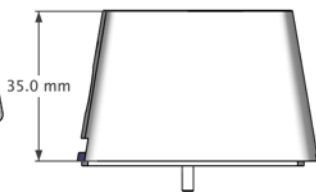


Work with lens sensor (SS0121W)
or charging cable (SS1310W-C20-xxx)

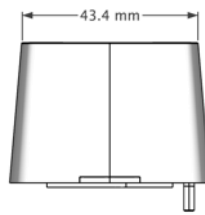
Alarm security display stand



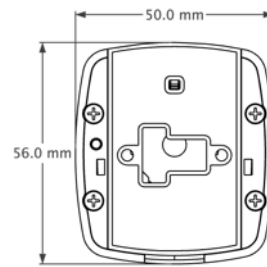
ARK700



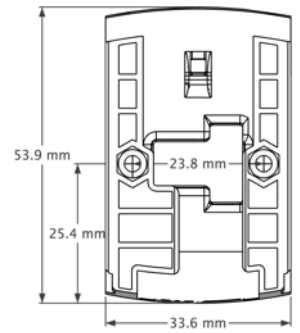
Side view



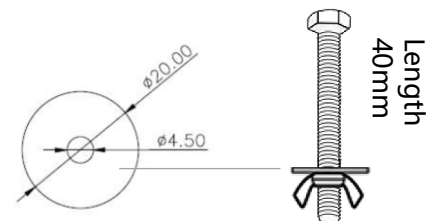
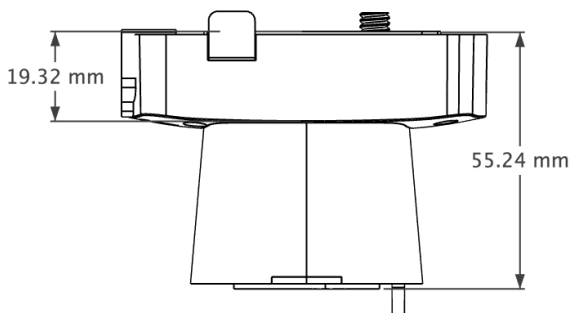
Front view



Bottom view



ARK000Y-A



Gasket size

TOL034S(single)
Screw
installation
options

Product Ordering

Core components

Model	Description	Color
ARK680W-C120	ARK Standalone external cable camera security stand, needs to be used with lens sensor (SS0121W) or charging cable (SS1310W-C20-xxx)	White
SS0121W-C20	Camera lens sensor without LED	White
SS1310W-C20-Micro SS1310W-C20-TypeCL	General Micro USB charging cable or Type C Charging Cable	White

Tools & Accessories

Model	Description	Color
TOL356Y	Screwdriver for anti-theft screws	Yellow
SR(ARK680)W	Silicon pad for ARK680	White